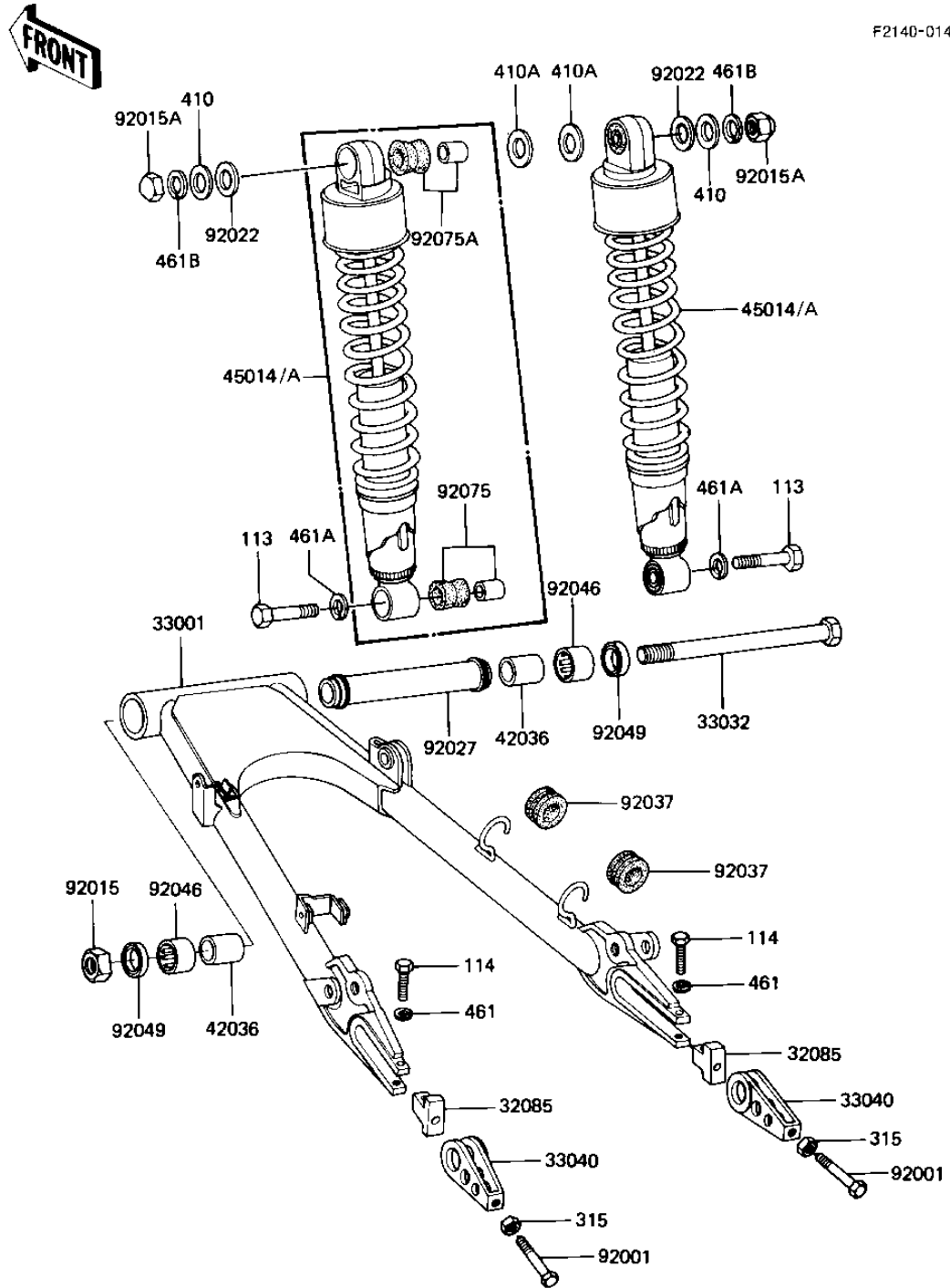


## 1981 1000 Standard PARTS DIAGRAM

SWING ARM/SHOCK ABSORBERS



## 1981 1000 Standard PARTS LIST

### SWING ARM/SHOCK ABSORBERS

| ITEM NAME                            | PART NUMBER | QUANTITY |
|--------------------------------------|-------------|----------|
| STOPPER,CHAIN ADJUST (Ref # 32085)   | 33044-001   | 1        |
| ARM-COMP-SWING (Ref # 33001)         | 33001-1071  | 1        |
| SHAFT,SWING ARM PIVOT (Ref # 33032)  | 33032-036   | 1        |
| ADJUSTER,CHAIN (Ref # 33040)         | 33040-066   | 1        |
| SLEEVE,SWING ARM (Ref # 42036)       | 42036-1040  | 1        |
| SHOCK ABSBR RR (Ref # 45014)         | 45014-1076  | 1        |
| BOLT-CHN ADJUST 10MM (Ref # 92001)   | 92001-143   | 1        |
| NUT-SELF LOCKING (Ref # 92015)       | 92019-012   | 1        |
| NUT 12MM (Ref # 92015A)              | 92020-014   | 1        |
| WASHER,12.4X28X2.3 (Ref # 92022)     | 92022-1239  | 1        |
| COLLAR (Ref # 92027)                 | 92027-1561  | 1        |
| DAMPER RUBBER (Ref # 92037)          | 43064-007   | 1        |
| BEARING-NEEDLE (Ref # 92046)         | 92046-1035  | 1        |
| SEAL-OIL (Ref # 92049)               | 92049-1060  | 1        |
| BUSHING,SHOCK ABSORBE (Ref # 92075)  | 45017-019   | 1        |
| BUSHING,SHOCK ABSORBE (Ref # 92075A) | 92075-1141  | 1        |
| BOLT HEX HEAD 10X35 (Ref # 113)      | 113N1035    | 1        |
| BOLT,8X40 (Ref # 114)                | 115G0840    | 1        |
| NUT 10MM (Ref # 315)                 | 315B1000    | 1        |
| WASHER PLAIN 12MM (Ref # 410)        | 410B1200    | 1        |
| WASHER PLAIN 14MM (Ref # 410A)       | 410B1400    | 1        |
| WASHER SPRING 8MM (Ref # 461)        | 461F0800    | 1        |
| WASHER SPRING 10MM (Ref # 461A)      | 461F1000    | 1        |
| WASHER SPRING 12MM (Ref # 461B)      | 461F1200    | 1        |