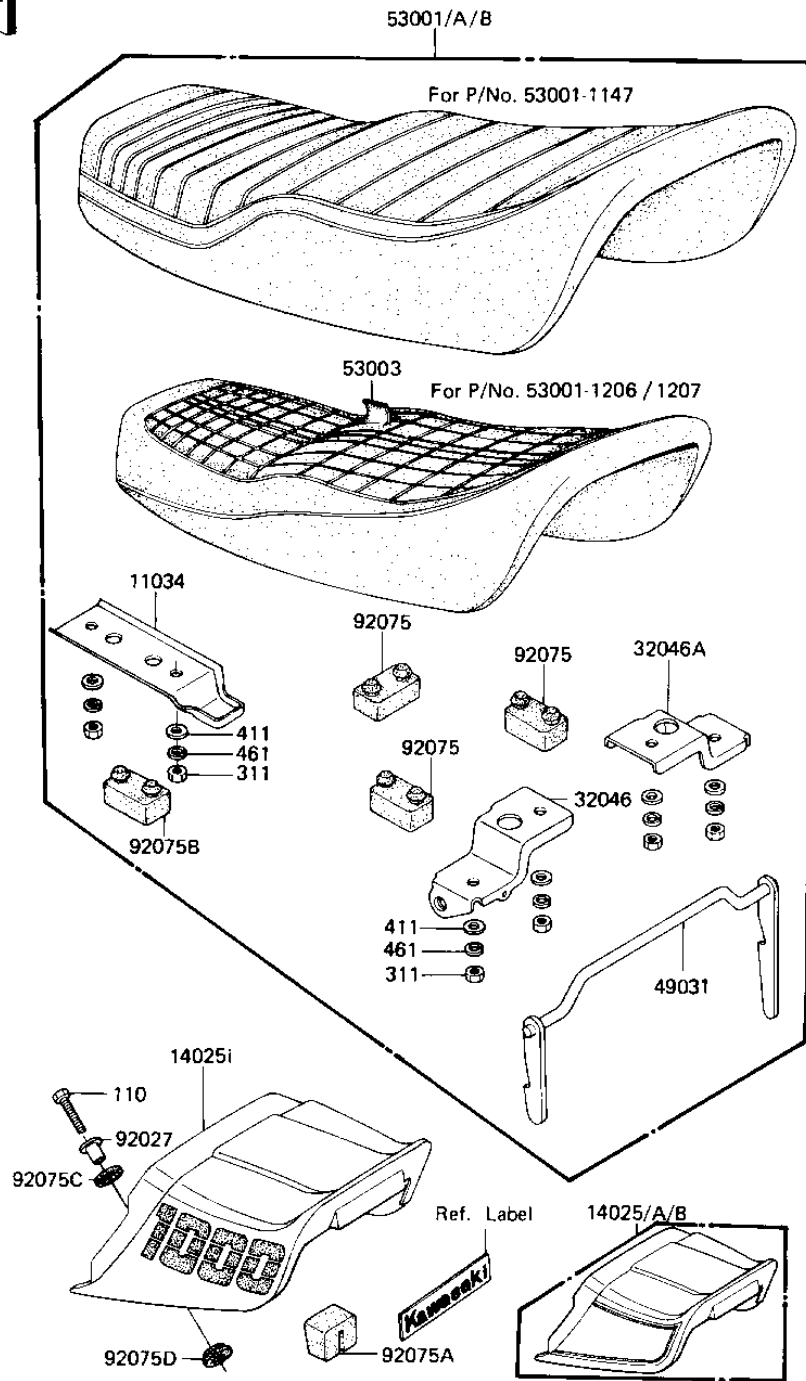


1981 1000 Standard PARTS DIAGRAM

SEAT/SEAT COVER



F2510-0154



1981 1000 Standard PARTS LIST

SEAT/SEAT COVER

ITEM NAME	PART NUMBER	QUANTITY
BRACKET,SEAT,FR (Ref # 11034)	11034-1868	1
COVER-SEAT,L.R.RED (Ref # 14025B)	14025-5041-D2	1
BRACKET-SEAT,LH (Ref # 32046)	32046-1089	1
UNAVAILABLE IN PRICE BOOK (Ref # 32046A)	32046-1096	1
LATCH,SEAT (Ref # 49031)	49031-1006	1
SEAT-ASSY (Ref # 53001)	53001-1207	1
COLLAR (Ref # 92027)	92027-251	1
DAMPER,SEAT,RR (Ref # 92075)	92075-1276	1
DAMPER,SEAT (Ref # 92075A)	92075-1313	1
DAMPER RUBBER,SEAT (Ref # 92075B)	92075-139	1
RUBBER,FENDER COVER (Ref # 92075C)	92075-174	1
DAMPER RUBBER (Ref # 92075D)	92075-175	1
BOLT-UPSET,6X20 (Ref # 110)	112G0620	1
NUT 6MM (Ref # 311)	311B0600	1
WASHER PLAIN 6MM (Ref # 411)	411B0600	1
UNAVAILABLE IN PRICE BOOK (Ref # 461)	46150600	1