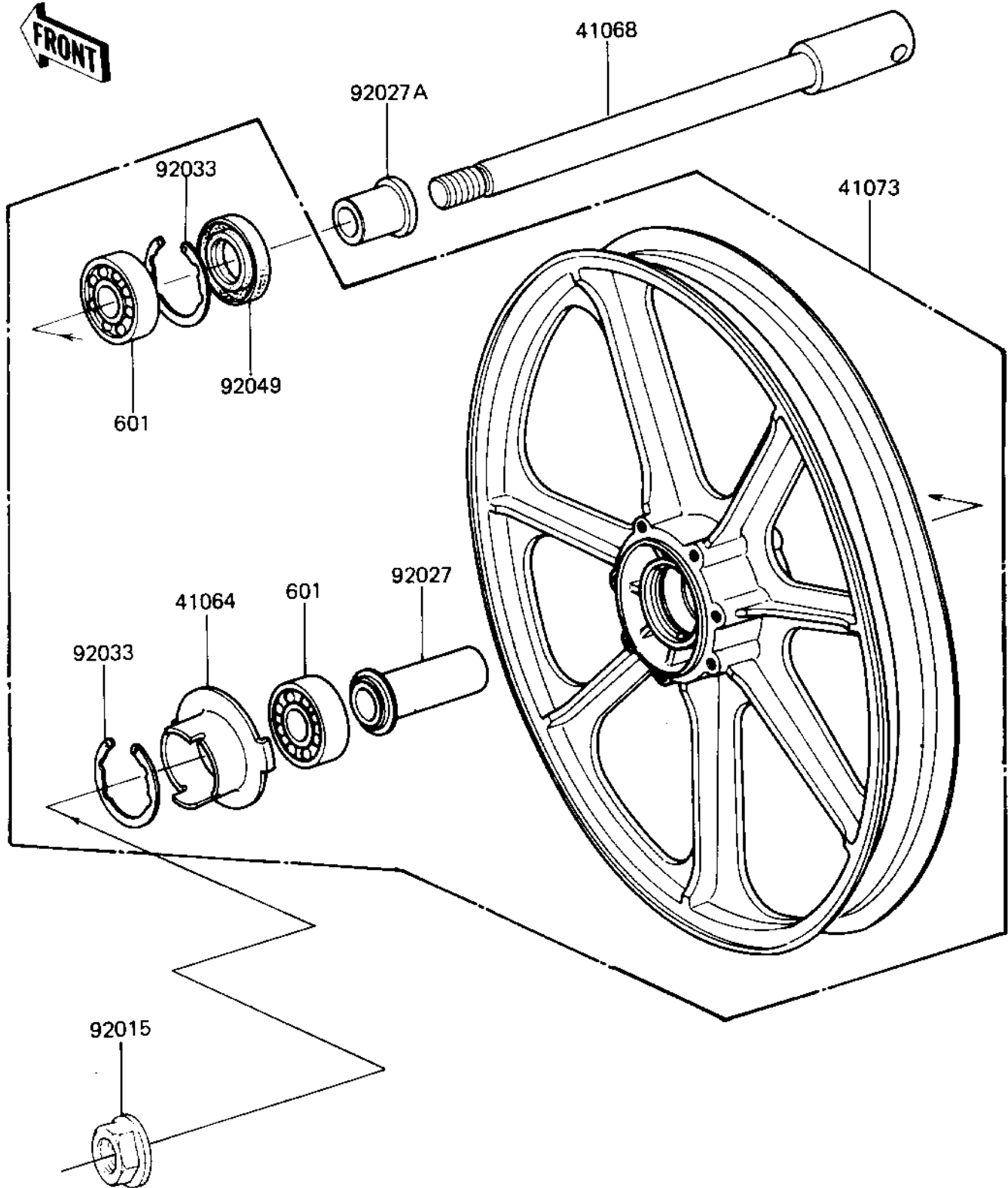


1981 1000 LTD PARTS DIAGRAM

FRONT WHEEL/HUB



1981 1000 LTD PARTS LIST

FRONT WHEEL/HUB

| ITEM NAME | PART NUMBER | QUANTITY |
|-------------------------------------|---------------|----------|
| RECEIVER-SPEEDOMETER (Ref # 41064) | 41064-1008 | 1 |
| AXLE,FRONT,L=204M/M (Ref # 41068) | 41068-1009 | 1 |
| WHEEL-ASSY (Ref # 41073) | 41073-1156-21 | 1 |
| NUT,14MM (Ref # 92015) | 92015-1407 | 1 |
| COLLAR,FR HUB L=55M/ (Ref # 92027) | 92027-1223 | 1 |
| COLLAR,FR AXLE L=30M (Ref # 92027A) | 92027-1225 | 1 |
| CIRCLIP,42MM (Ref # 92033) | 92033-1041 | 1 |
| OIL SEAL,AG1144A0 (Ref # 92049) | 92049-1058 | 1 |
| BEARING BALL #6302Z (Ref # 601) | 601B6302Z | 1 |